

# F900 SERIES



E9341, E9341F Fryers  
E9341 Fryer (Offshore)

Spares Information



*E9341 Model*

E9341-E9341F-Spares-0517

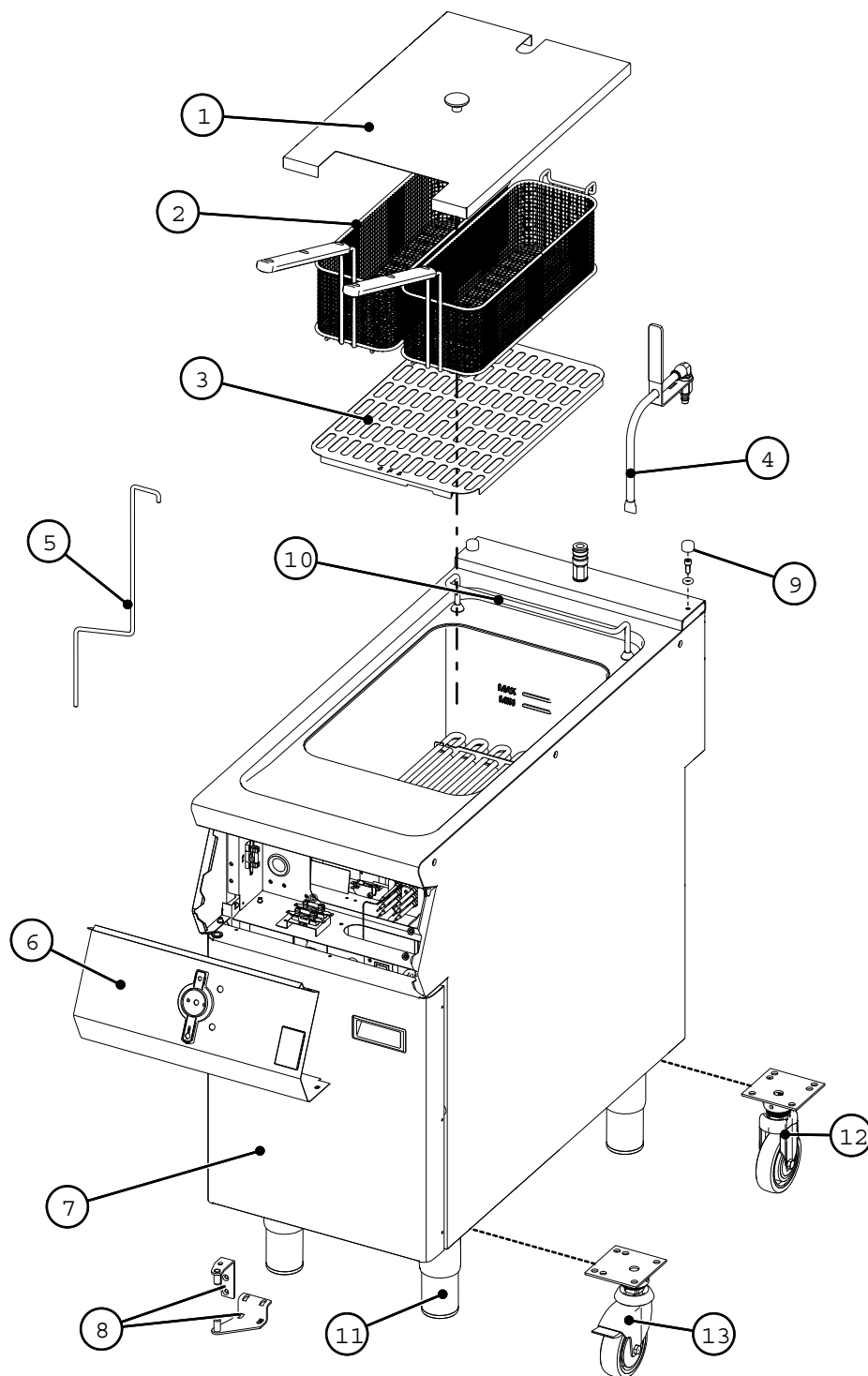
## **Falcon Foodservice Equipment**

Wallace View, Hillfoots Road, Stirling FK9 5PY t: +44 (0) 1786 455 200 f: 08000 275 595  
info@falconfoodservice.com [www.falconfoodservice.com](http://www.falconfoodservice.com)

# F900 SERIES

## E9341, E9341F Fryers

### Fitments and Main Body





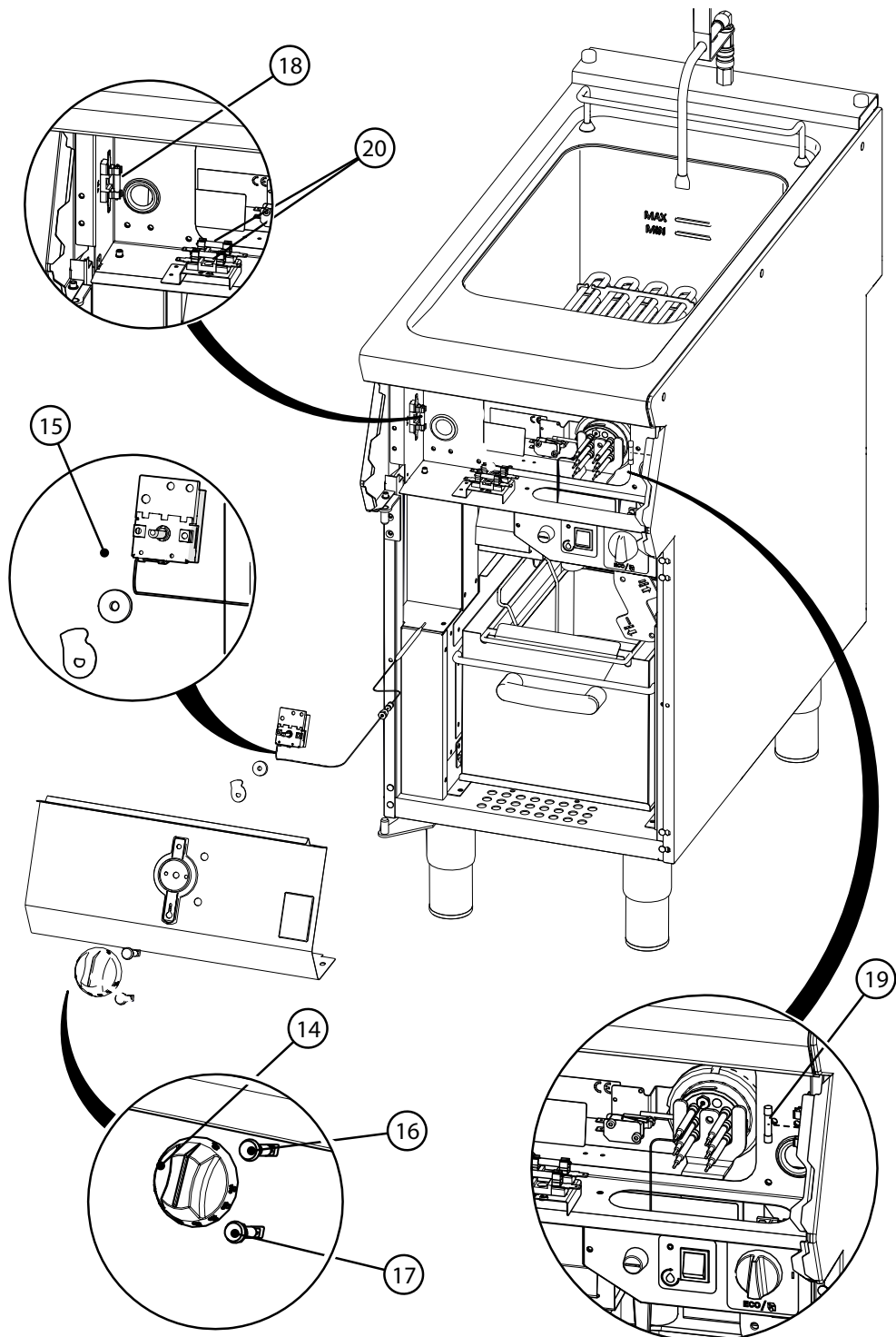
## Fitments and Main Body

<u>Item</u>	<u>Description</u>	<u>Spares No.</u>	<u>Part No.</u>
1.	Dust cover	733500000	690169
2.	Half basket	733500001	RA9315
3.	Fry plate	733500002	T703729
4.	Oil return pipe assembly	733500003	690170
5.	Drain prod / lifting / scraping tool	733500020	RA9353
6.	Control panel	733500004	690171
7.	Door assembly c/w hinges	533810000	900171
8.	Hinge kit	733500005	690153
9.	Screw cap kit	533550009	690049
10.	Basket hanger kit	733500006	690197
11.	Adjustable leg ( <i>stainless steel</i> )	535480067	R6285
12.	Fixed castor ( <i>set of 2</i> )	530964340	600284
13.	Swivel castors ( <i>set of 2</i> )	535400222	600286

# F900 SERIES

## E9341, E9341F Fryers

### Controls 1





## Controls 1

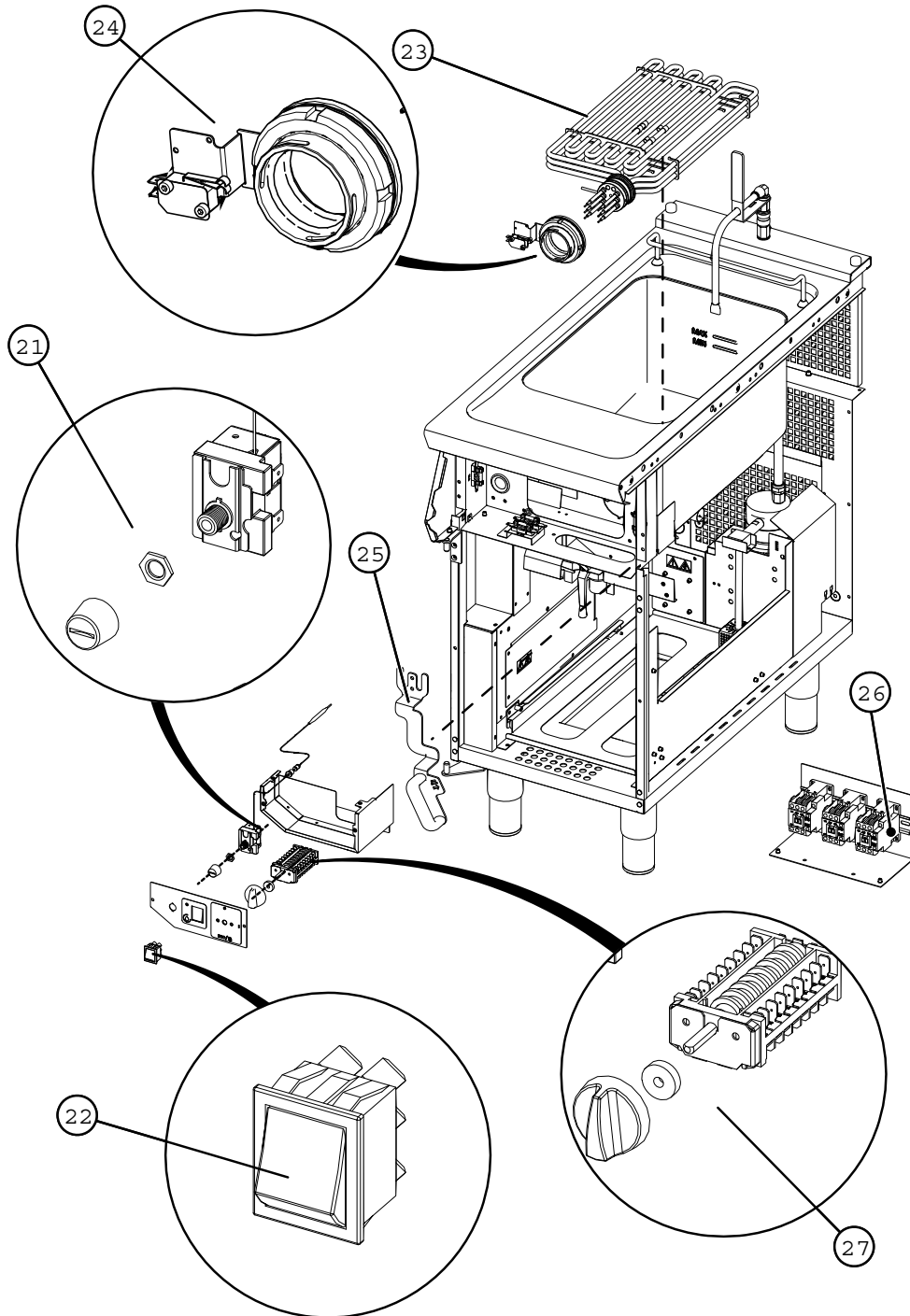
---

<u>Item</u>	<u>Description</u>	<u>Spares No.</u>	<u>Part No.</u>
14.	Control knob	733500011	RA9262
15.	Operating thermostat kit	733500019	690211
16.	Mains pilot light ( <i>red</i> )	730962010	RA9249
17.	Circuit pilot light ( <i>amber</i> )	730962040	RA9250
18.	Fuse 12A	733500012	RA9321
19.	Fuse 5A	536430009	R5524
20.	Fuse 2A	734243006	R2292

# F900 SERIES

## E9341, E9341F Fryers

### Controls 2





## Controls 2

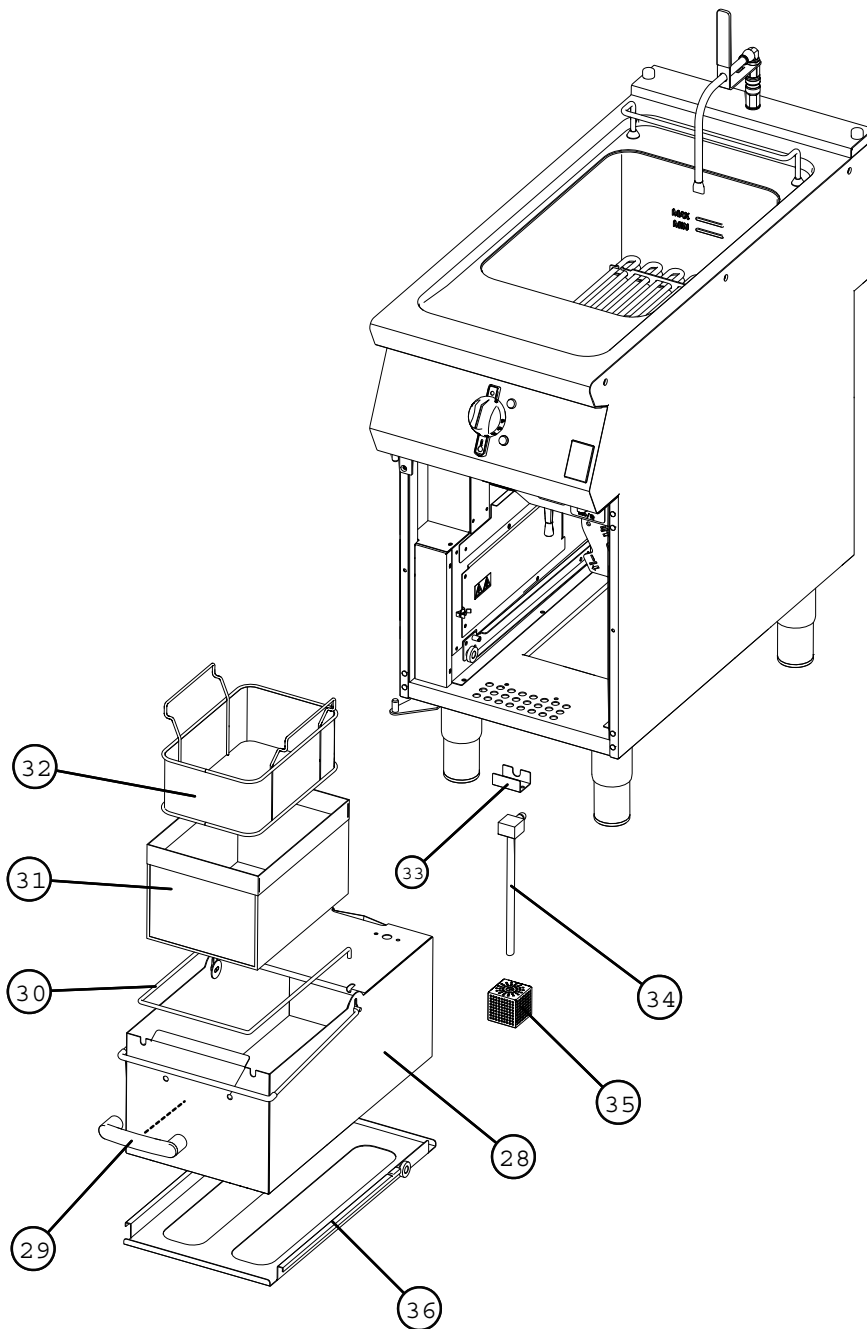
---

<u>Item</u>	<u>Description</u>	<u>Spares No.</u>	<u>Part No.</u>
21.	Safety thermostat kit	733500026	690228
22.	Rocker switch kit	733500013	690175
23.	Element c/w microswitch kit	733500014	690176
24.	Microswitch kit	733500015	RA9339
25.	Element rotating handle	733500016	690163
26.	Contactator	731350070	RV147
27.	Mode control switch kit	733500017	690177

# F900 SERIES

## E9341, E9341F Fryers

### Oil Container







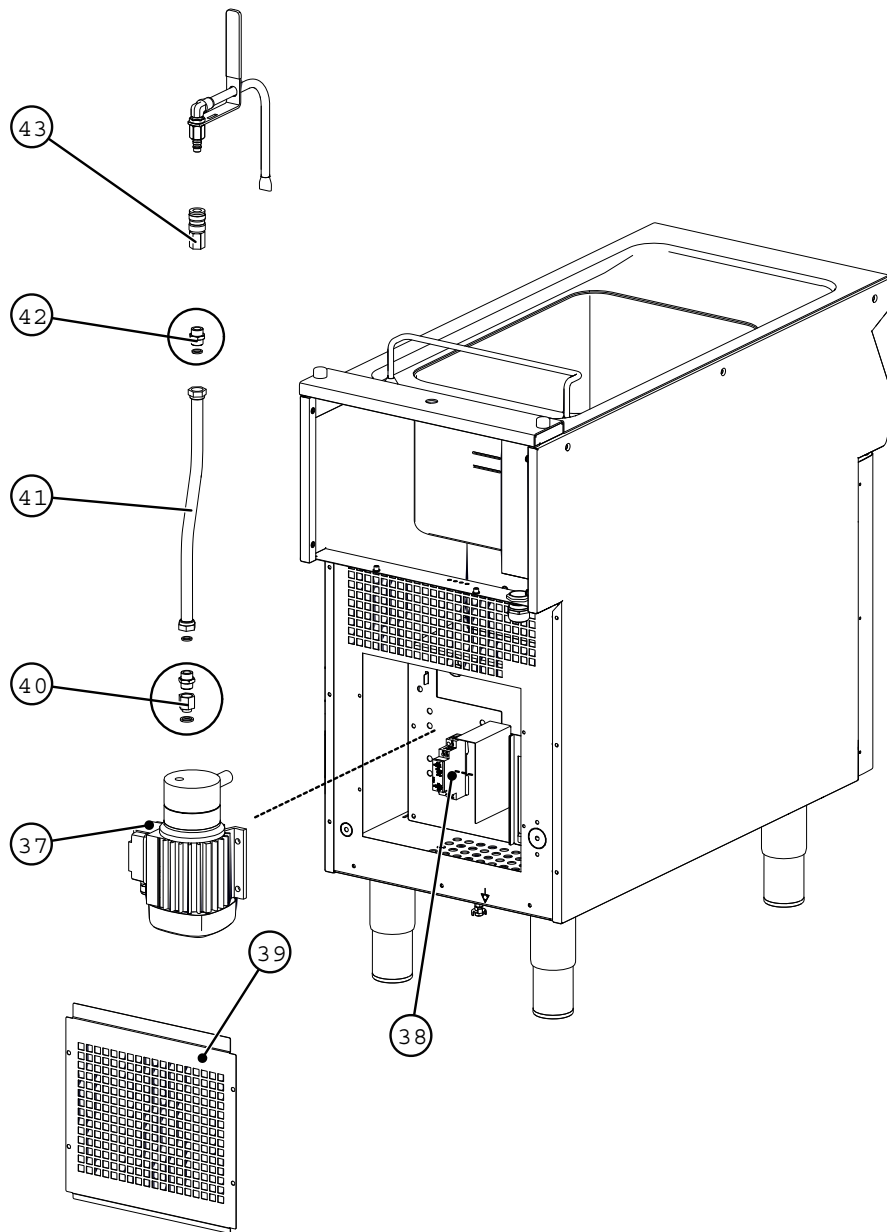
## Oil Container

<b><u>Item</u></b>	<b><u>Description</u></b>	<b><u>Spares No.</u></b>	<b><u>Part No.</u></b>
28.	Oil container c/w handle	733500007	690172
29.	Oil container handle	733500008	690173
30.	Fine mesh wire support	737101143	R5848
31.	Fine mesh filter	737101159	R5847A
32.	Filtration Basket	535770032	R6638
33.	Oil pick up pipe bracket	733500009	690174
34.	Oil pick up pipe	731350052	R6471
35.	Suction pipe filter	731350032	T423210
36.	Oil container carrier	733500010	T703045

# F900 SERIES

## E9341, E9341F Fryers

### Pump and Fittings





## Pump and Fittings

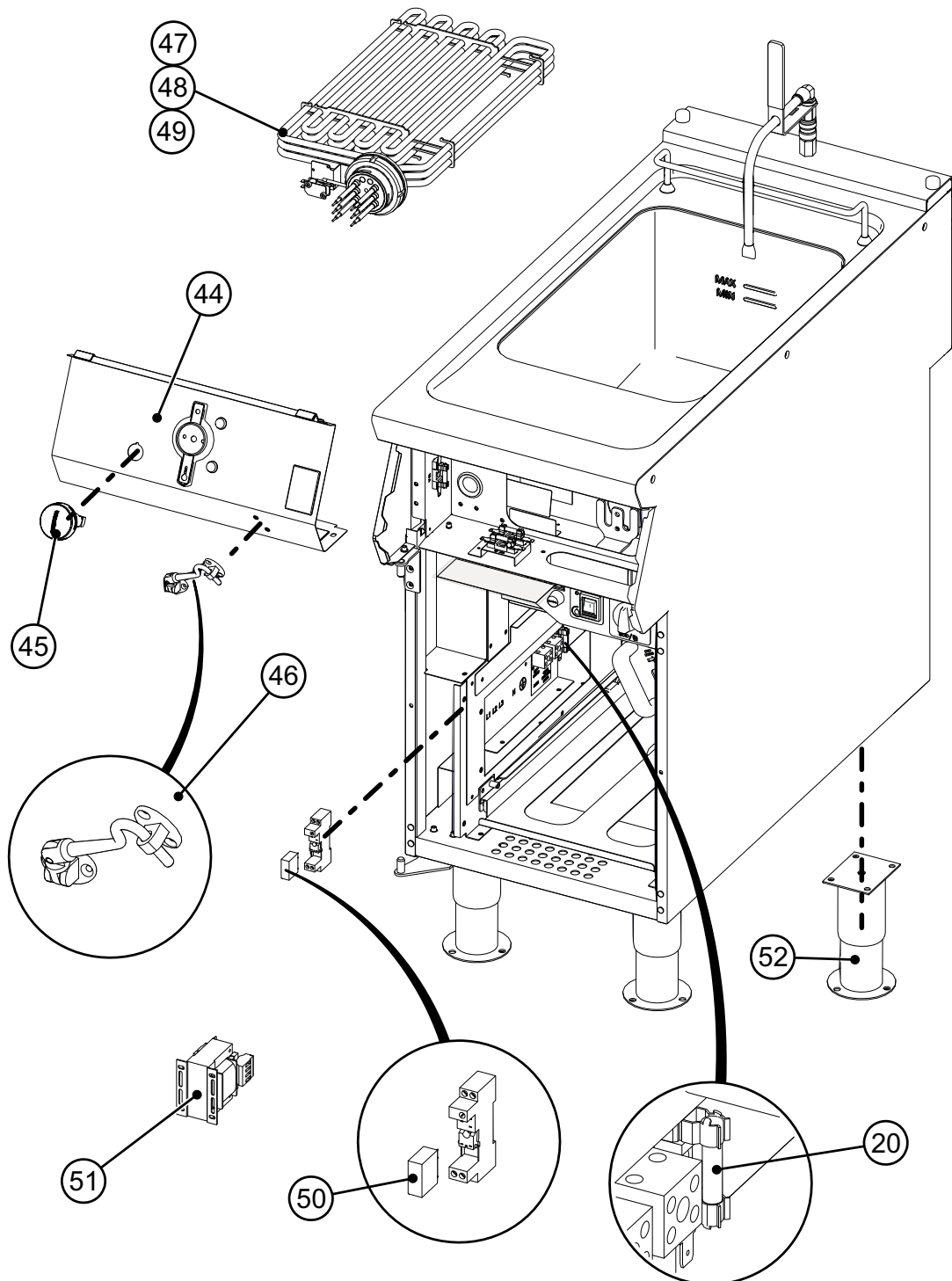
---

<b><u>Item</u></b>	<b><u>Description</u></b>	<b><u>Spares No.</u></b>	<b><u>Part No.</u></b>
37.	Oil pump c/w screws	535770077	609942
38.	Pump timer	536470007	R5413
39.	Rear access panel	533500012	T703051
40.	Pump to pipe fixings	535770210	608138
41.	Flexi hose c/w seals	535770111	802085
42.	Pipe to quick release fixings	733500018	690178
43.	Quick release connection	737401235	R6273

# F900 SERIES

E9341 Fryer

Offshore Model





## Offshore Model

<b><u>Item</u></b>	<b><u>Description</u></b>	<b><u>Spares No.</u></b>	<b><u>Part No.</u></b>
20.	Fuse 2A (anti-surge)	734243006	R2292
44.	Control panel (offshore)	733500021	690221
45.	LED buzzer	733500022	RA9371
46.	Door catch	733440012	690201
47.	400V element c/w fitments (19kW)	733500023	RA9375
48.	254V element c/w fitments (19kW)	733500024	RA9377
49.	440V element c/w fitments (19kW)	733500025	RA9376
50.	Relay (230V single pole)	535770128	R2926
51.	Transformer 100VA	731370001	R933
52.	Adjustable foot (floor fixed)	730870004	R6624